



RISO RE 6350/6250/6150

*Environmental-Friendly,
Ultra-Fast Digital Duplicator*



PRINT SPEED

150 ppm

PRINT SIZE

A3 / B4 / Legal

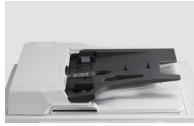
Full-Color LCD

Touch Panel

Optional Accessories



RISO FII Type Drum
Enables color printing
(Case included)



RISO Auto Document Feeder AF-VII
Scans multiple documents automatically.



RISO Job Separator IV; NIII
Enables easy separation of printed sheets by inserting tape strips.



Wide Stacking Tray
Allows use of paper up to 555 mm on the long edge.



Card Feed Kit
Compatible with paper weight 100 gsm to 400 gsm.
*Please contact a RISO sales representative for the kinds of paper that may be used.



RISO Stand D Type III
Deluxe and with doors for convenient storage with a neat appearance.



RISO Stand N Type III
Sturdy open-front stand also offers convenient storage of consumables.

- IC Card Reader Activation Kit RG
- Envelope Feed Kit
Compatible with paper weight 50 gsm to 120 gsm.

Consumables

RISO iQualitySystem



The RISO iQuality mark indicates a RISO product compatible with the RISO iQuality System.



RISO INK FII Type Color (1000 ml)



RISO INK FII Type Black (1000 ml)

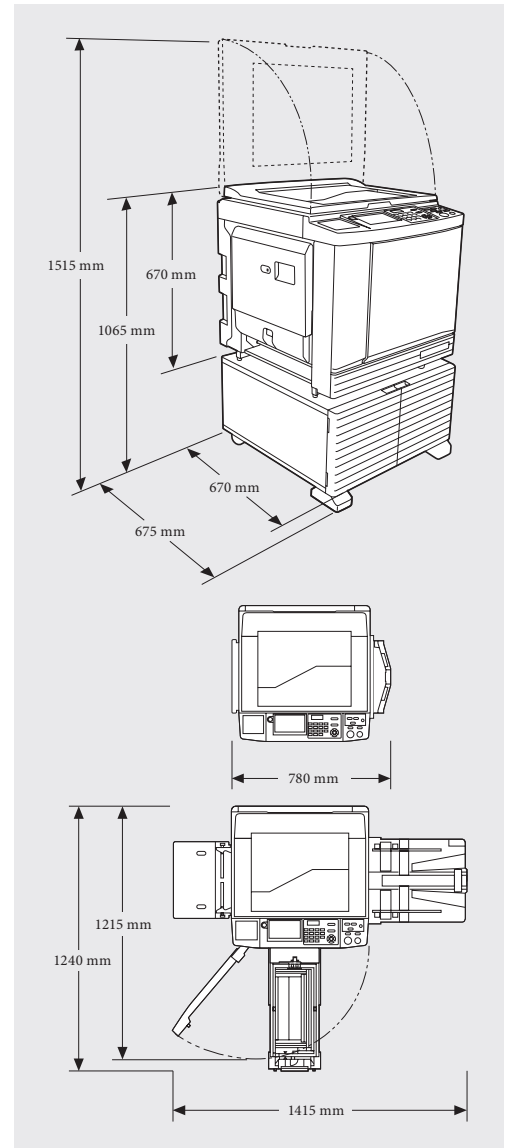


RISO MASTER FII Type A3 (220 sheets per roll)
RISO MASTER FII Type B4 (250 sheets per roll)
RISO MASTER FII Type Legal/A4 (Legal: 250 sheets per roll) (A4: 295 sheets per roll)

Specifications

		RE6350	RE6250	RE6150
Master Making/Printing Methods		High-speed digital master-making/Fully automatic printing		
Original type		Book or sheet		
Master Making Time ¹	Quick Master Making Mode	- Approx. 14 seconds (A4, long-edge feed) - Approx. 18 seconds (A4, short-edge feed)	Approx. 18 seconds (A4, short-edge feed)	- Approx. 17 seconds (Letter, short-edge feed) - Approx. 21 seconds (Legal, short-edge feed)
	Normal Master Making Mode	- Approx. 16 seconds (A4, long-edge feed) - Approx. 20 seconds (A4, short-edge feed)	Approx. 20 seconds (A4, short-edge feed)	- Approx. 19 seconds (Letter, short-edge feed) - Approx. 23 seconds (Legal, short-edge feed)
Resolution	Scanning	600 dpi × 600 dpi		
	Printing	300 dpi × 600 dpi, Quick Master Making mode: 300 dpi × 400 dpi		
Maximum Scanning Area		297 mm × 432 mm		
Print paper weight		46 gsm to 210 gsm		
Print Paper Size ²		100 mm × 148 mm to 310 mm × 432 mm		
Maximum Printing Area		291 mm × 413 mm	251 mm × 357 mm	210 mm × 357 mm
Paper Feed Tray Stacking Capacity		1000 sheets ³ , stacking height of 110 mm or lower		
Paper Receiving Tray Stacking Capacity		1000 sheets ³ , stacking height of 110 mm or lower		
Print Speed		6 levels: 60, 80, 100, 120, 130, and 150 (High Speed ⁴) ppm		
Print Position Adjustment		Horizontal: ±15 mm, Vertical: ±10 mm		
Image Processing Mode		Line, Photo (Standard/Portrait), Duo (Standard/Line/Photo/Shadow off), Pencil (Darker/Lighter)		
Print Reproduction Ratio		Zoom (50% to 200%), Free, 100% reproduction ratio, Margin+ (90% to 99%), 4 levels of enlargement (163%, 141%, 122%, 116%), 4 levels of reduction (87%, 82%, 71%, 61%)		
User Interface		Color touch panel		
Functions		Image, Contrast, Size, Paper Size Detection, Dot Process, Contrast Adj., Tone Curve, Multi-Up Print, Book Shadow, Top Margin Adj., Binding Margin Adj., Max. Scan, Ink Saving, Quick Master Making, Preview, ADF Semi-Auto ⁵ , Storage, Overlay, Print Speed Adj., Print Density Adj., Print Position Adj., Interval, Renew Page, Auto Page Renewal, Rotate, Special Paper Ctrl, Program, Slip Sheet Sorting, Job Separation ⁶ , Job Memory, Reservation, Idling Action, Confidential, My Direct Access, Meter Display, ID Counter Report, Proof Copy, Direct Printing, USB Job List, Paper Memory Print, Scanning Mode, Admin., Auto Sleep, Auto Power-OFF, Power-OFF Schedule, ECO Mode, Protect, RISO iQuality System		
PC Interface		USB2.0, Ethernet:100BASE-TX, 10BASE-T		
Ink Supply		Full automatic (1000 ml/cartridge)		
Master Supply/Disposal		Full automatic (A3: approx. 220 sheets per roll)/Disposal capacity: approx. 100 sheets	Full automatic (B4: approx. 250 sheets per roll)/Disposal capacity: approx. 100 sheets	Full automatic (Legal: approx. 250 sheets per roll)/Disposal capacity: approx. 100 sheets
Power Source		AC 100-240 V, 50-60 Hz <3.4-1.6 A>		
Power Consumption	Standard	Max.: 300 W, Ready: 20 W or lower, Sleep: 5 W or lower, Power-OFF: 0.5 W or lower		
	Optional Accessories Connected ⁷	Max.: 315 W, Ready: 30 W or lower, Sleep: 10 W or lower, Power-OFF: 0.5 W or lower		
Dimensions (W×D×H)	In use	1415 mm × 670 mm ⁸ × 1065 mm ⁹		
	In storage	780 mm × 670 mm ⁸ × 1065 mm ⁹		
Required Space (W×D×H)		1415 mm × 1240 mm × 1515 mm ⁹		
Weight		102 kg ¹⁰		

Dimensions



¹ Measurement value when set to 100% reproduction ratio. ² When the optional Wide Stacking Tray is installed, you can use paper up to a size of 310 mm × 555 mm by setting [Custom Paper Entry]. Depending on the paper type and paper size, papers may not be aligned properly. ³ When using the following weight of paper: 64 gsm to 80 gsm. ⁴ If the temperature of the inside of the print drum (cylinder) is less than 5°C, [High Speed] is not usable. ⁵ Usable when the optional auto document feeder is installed. ⁶ Usable when the optional Job Separator is installed. ⁷ When all the following optional accessories are installed: Auto Document Feeder, Job Separator, IC Card Reader. ⁸ The depth does not include the stabilizers for the dedicated stand. ⁹ The height includes the dedicated stand. ¹⁰ The weight does not include the ink, master roll, and stand.
Notes: The specifications are subject to change without prior notice.
The reusable parts rate is based on the RISO standards as of March 2022. It may change without prior notification.

RISO and RISO are trademarks or registered trademarks of RISO KAGAKU CORPORATION in the United States and other countries. Other corporate names and/or trademarks are either registered trademarks or trademarks of each company, respectively. Copyright ©2022 RISO KAGAKU CORPORATION. All rights reserved.



RISO (THAILAND) LIMITED

825 Phairokijja Tower 10th Floor, Debaratna Road, Bangna Nuea, Bangna, Bangkok 10260

Tel: +66-2361-4643-50 Fax: +66-2361-4652 <http://www.riso.co.th/> or <http://www.riso.co.jp/>